



FRL UNITS FOR GLOBE AIR MOTORS

- Pre selected for use on GLOBE air motors;
- Standard with ATEX II cat. 2 G&D T5 for use in hazardous environments;
- All filters have a float type auto-drain;
- The FRL units are ready to mount and supplied with a pressure gauge.

Specifications

| Model / ordering code | GFRL3/8 | GFRL1/2 | GFRL3/4 | GFRL1 | GFRL11/2 | GFRL2 |
|--|--------------------------------|---------|---------|---------|----------|-------|
| Port size | 3/8" | 1/2" | 3/4" | 1" | 1 1/2" | 2" |
| Max. operating pressure | 10 bar | | | | | |
| Set pressure range | 0,5 – 8,5 bar | | | | | |
| Ambient and fluid temperature | -5 to 60 °C | | | | | |
| Nominal filtration rating | 5 µm | | | | | |
| Max. flow rate (L/ sec. free air) | 25 | 50 | 75 | 165 | 200 | 265 |
| Pressure drop (Δp) at 7 bar (105 psi) and max. flow rate | 1 bar | 1,2 bar | 1,4 bar | 1,5 bar | 1,3 | 1,1 |
| Housing material | Aluminium | | | | | |
| Bowl material | Polycarbonate | | | | | |
| Weight (kg) | 0,75 | 1,41 | 4,17 | 4,34 | 7,5 | 12 |
| Recommended lubricant | Class 1 turbine oil (ISO VG32) | | | | | |

FRL unit / air motor selection

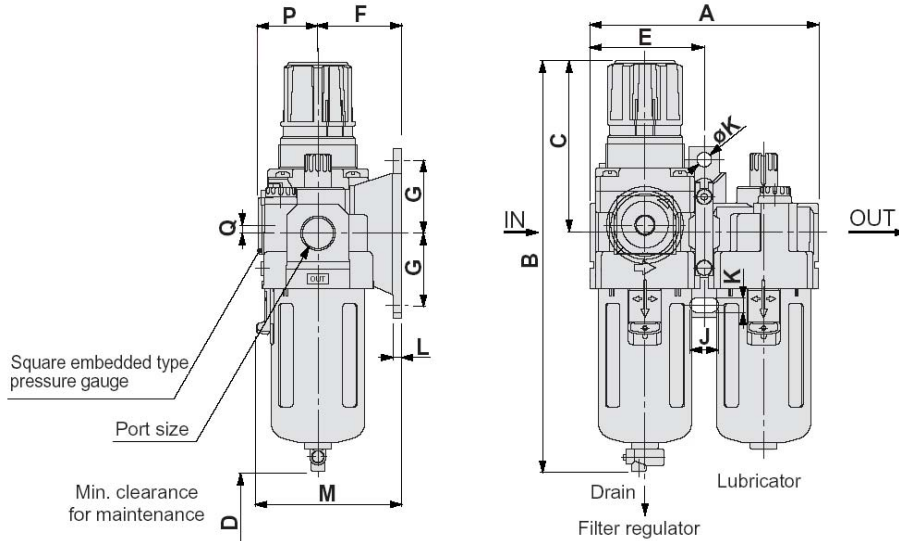
| | Vane air motors | | | | | | Piston air motors | | | | | |
|----------|-----------------|----|----|----|----|----------------|-------------------|----------------|----------------|-------|-------|-------|
| | V1 | V2 | V4 | V6 | V8 | V10 | RM110 | RM210 | RM310 | RM410 | RM510 | RM610 |
| GFRL3/8 | X | X | | | | | | | | | | |
| GFRL1/2 | | | X | | | | X | | | | | |
| GFRL3/4 | | | | X | | | | X | | | | |
| GFRL1 | | | | | X | X | | X ² | X | | | |
| GFRL11/2 | | | | | | X ² | | | X ² | X | | |
| GFRL2 | | | | | | | | | X ² | X | X | X |

X² = for maximum power at high speed of rotation.

Consult GLOBE Airmotors BV or their distributors for other motor types and models.

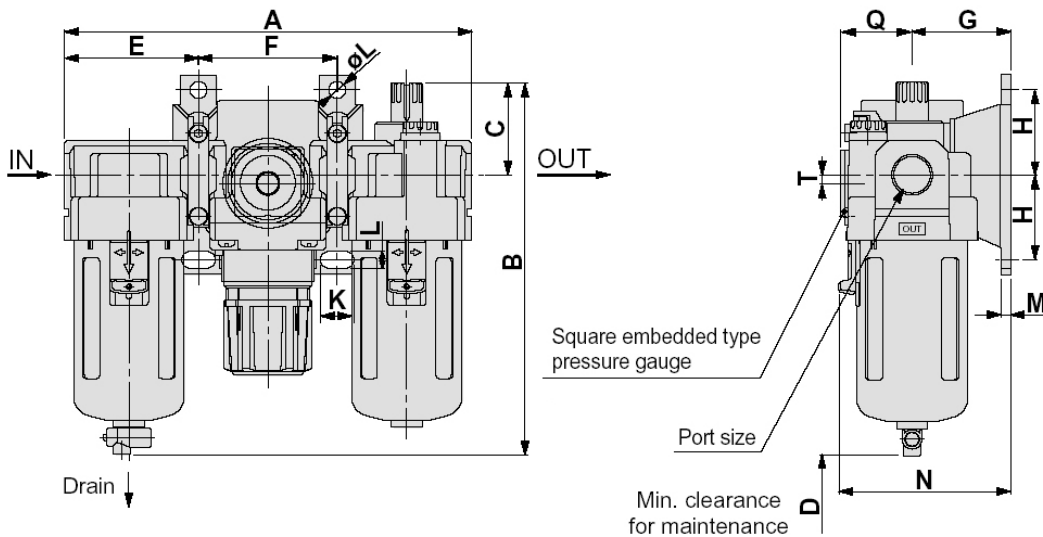


DIMENSIONS GFRL3/8 & GFRL1/2



| | A | B | C | D | E | F | G | J | K | L | M | P | Q |
|----------------|-----|-----|----|-----|------|----|----|----|----|---|----|------|-----|
| GFRL3/8 | 110 | 242 | 86 | 80 | 55 | 41 | 35 | 14 | 7 | 4 | 71 | 30,5 | 3,5 |
| GFRL1/2 | 145 | 278 | 92 | 110 | 72,5 | 50 | 40 | 18 | 79 | 4 | 88 | 38,5 | 1,5 |

DIMENSIONS GFRL3/4 & GFRL1

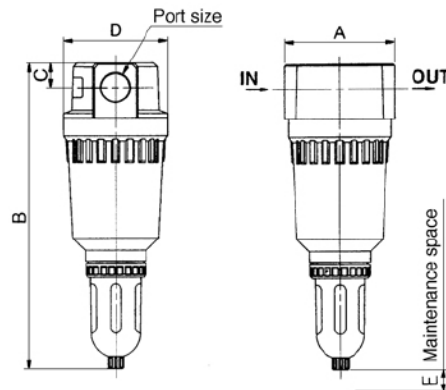


| | A | B | C | D | E | F | G | H | K | L | M | N | Q |
|----------------|-----|-----|----|-----|----|-----|----|----|----|----|-----|-------|------|
| GFRL3/4 | 282 | 303 | 43 | 110 | 93 | 96 | 70 | 50 | 20 | 11 | 6,4 | 115 | 44,5 |
| GFRL1 | 297 | 318 | 46 | 110 | 98 | 101 | 70 | 50 | 20 | 11 | 6,4 | 117,5 | 44,5 |



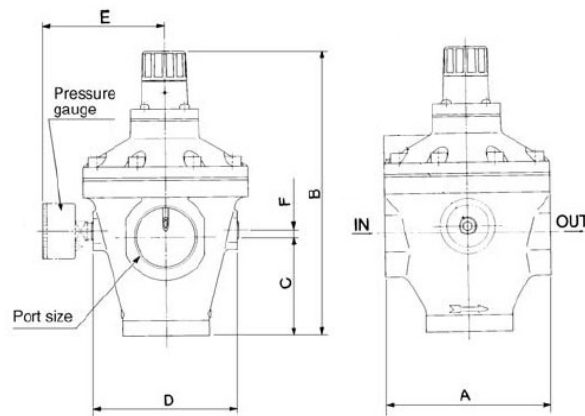
DIMENSIONS GFRL11/2 & GFRL2

Filter



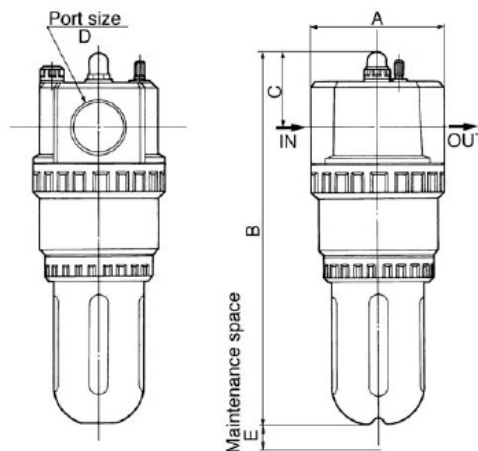
| | A | B | C | D | E |
|-------------------|-----|-----|----|-----|-----|
| Filter 1½" | 150 | 472 | 33 | 140 | 200 |
| Filter 2" | 200 | 552 | 46 | 170 | 260 |

Pressure regulator



| | A | B | C | D | E | F |
|----------------------|-----|-----|----|-----|-------|----|
| Regulator 1½" | 126 | 216 | 75 | 110 | 94,5 | 5 |
| Regulator 2" | 160 | 241 | 90 | 140 | 109,5 | 10 |

Lubricator



| | A | B | C | D | E |
|-----------------------|-----|-----|----|-----|-----|
| Lubricator 1½" | 100 | 283 | 59 | 1½" | 125 |
| Lubricator 2" | 100 | 288 | 63 | 2" | 125 |